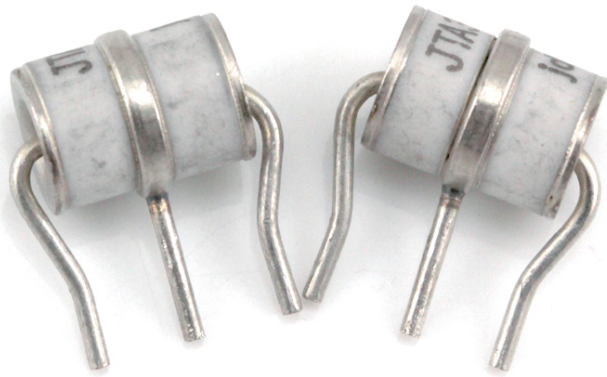


为您的产品保驾护航

PRODUCT DATASHEET

Gas Discharge Tubes

JTA36G/JTN36G



Description

Gas discharge tubes (GDT) use noble gasses enclosed in ceramic tubes to provide an alternate circuit path for voltage spikes. The ceramic envelope and with nickel connectors allow for high loads and Ruilon offers products that function at 20kA, 40kA, 50kA, 60kA, 100kA & 150kA. The breakdown voltages of the devices have a wide range (up to 20% tolerance). Major applications are high frequency telecommunication lines, stations, security systems, HID and high quality Surge Protection Devices (SPD).

Features

- RoHS & HF compliant
- Size: 8.5mm*6.0mm
- DC Spark-over voltage: 75~800V
- Stable breakdown voltage.
- High insulation resistance.
- High holdover voltage.
- Large absorbing transient current capability.
- Low Capacitance
- Micro-Gap Design

Product Identification

JT A 3 6 -070 G

G = Surge Rating

Blank=0.5kA, B=2kA, D=3kA,
G=5kA, H=10kA, K=20kA,
M=40kA, P=60kA

070 = DC Spark-over Voltage 70V

6 = 6mm Diameter

3 = 3 Electrode Device

A = Lead Configuration

A=Axial Leads
N=No Leads
S=Surface Mount
T=T-shaped Leads

JT = JDT Gas Discharge Tube

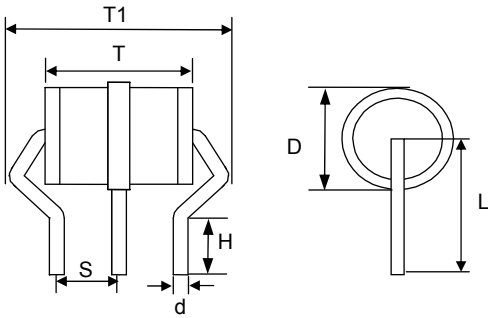
Applications

- Cable Modem
- xDSL
- Set-Top Box
- Satellite and CATV equipment
- Power supplier
- Consumer electronics
- General telecom equipment

Performance Specification

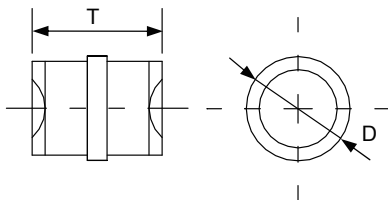
Part Number		DC Spark-over Voltage	Maximum Impulse Breakdown Voltage		Max. Impulse Discharge Current (8/20 μ s)		Impulse Life (10/1000 μ s)	Normal Alternating Discharge Current		DC Holdover Voltage	Minimum Insulation Resistance	Maximum Capacitance (1MHz)
			100V/S	100V/ μ S	1KV/ μ S	1 times		10 times	100 A			
T Series	S Series	(V)	(V)	(V)	(KA)		Times	(A)		(V)	(G Ω)	(pF)
JTA36-070G	JTN36-070G	70 \pm 20%	500	600	10	5	500	5	65	20	1	1.5
JTA36-075G	JTN36-075G	75 \pm 20%	500	600	10	5	500	5	65	50	1	1.5
JTA36-090G	JTN36-090G	90 \pm 20%	500	600	10	5	500	5	65	100	1	1.5
JTA36-150G	JTN36-150G	150 \pm 20%	500	700	10	5	500	5	65	100	1	1.5
JTA36-230G	JTN36-230G	230 \pm 20%	500	700	10	5	500	5	65	100	1	1.5
JTA36-250G	JTN36-250G	250 \pm 20%	500	700	10	5	500	5	65	100	1	1.5
JTA36-300G	JTN36-300G	300 \pm 20%	700	900	10	5	500	5	65	100	1	1.5
JTA36-350G	JTN36-350G	350 \pm 20%	700	900	10	5	500	5	65	100	1	1.5
JTA36-400G	JTN36-400G	400 \pm 20%	800	1000	10	5	500	5	65	100	1	1.5
JTA36-470G	JTN36-470G	470 \pm 20%	900	1100	10	5	500	5	65	250	1	1.5
JTA36-600G	JTN36-600G	600 \pm 20%	1100	1300	10	5	500	5	65	250	1	1.5
JTA36-800G	JTN36-800G	800 \pm 20%	1300	1500	10	5	500	5	65	250	1	1.5

DC Spark-over Voltage	DC Measuring Voltage
75-90V	50V
150-400V	100V
420- 600V	250V

Dimension
"T" (Axial lead type)


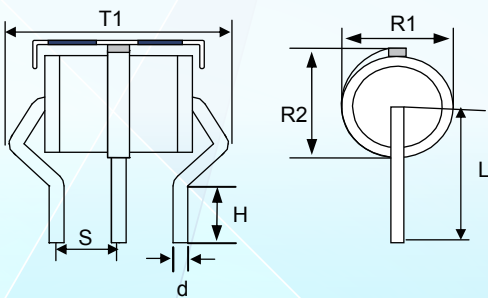
Unit:mm

Item	Dimensions	
	Spec.	Tolerance
D	6.0	+0.2/-0.8
T	8.5	±0.5
T1	11.5	+0.8/-0.5
L	7.5	±0.5
S	3.8	±0.3
d	0.8	±0.05
H	4.5	Min.

"N" (No lead type)


Unit:mm

Item	Dimensions	
	Spec.	Tolerance
D	6.0	+0.2/-0.8
T	8.5	±0.5

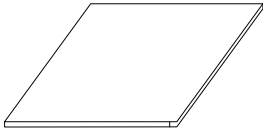
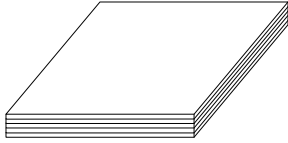

"TF" (No lead type)


Unit:mm

Item	Dimensions	
	Spec.	Tolerance
R1	6.3	±0.3
R2	7.6	±0.4
T1	11.5	+0.8/-0.5
L	7.5	±0.5
S	3.8	±0.3
d	0.8	±0.05
H	4.5	Min

Packaging Bulk

Unit:mm

Plastic Tray (200x210x10mm)	Inner Box (210x225x60mm)	Outside Box (450x245x345mm)
		
100 PCS/ Plastic Tray	500 PCS/ Box	5,000 PCS/ Carton