

为您的产品保驾护航

PRODUCT DATASHEET

Gas Discharge Tubes

JTS5050G



Description

Gas discharge tubes (GDT) use noble gasses enclosed in ceramic tubes to provide an alternate circuit path for voltage spikes. The ceramic envelope and with nickel connectors allow for high loads and Ruilon offers products that function at 20KA, 40KA, 50KA, 60KA, 100KA & 150KA. The breakdown voltages of the devices have a wide range (up to 20% tolerance). Major applications are high frequency telecommunication lines, stations, security systems, HID and high quality Surge Protection Devices (SPD).

Features

- RoHS & HF compliant
- Size: 5.0mm*5.0mm
- DC Spark-over voltage: 75~1000V
- Stable breakdown voltage.
- High insulation resistance.
- High holdover voltage.
- Large absorbing transient current capability.
- Low Capacitance
- Micro-Gap Design

Product Identification

JT S 5050-075 G

D = Surge Rating

Blank=0.5kA, B=2kA, D=3kA,
G=5kA, H=10kA, K=20kA,

M=40kA, P=60kA **075 = DC**

Spark-over Voltage 75V

5050=Device Dimensions:

Length/width(Unit: 1/100 inch) Size
5050 mm / 2018&2016 inch

S = Lead Configuration

A=Axial Leads
N=No Leads
S=Surface Mount
T=T-shaped Leads

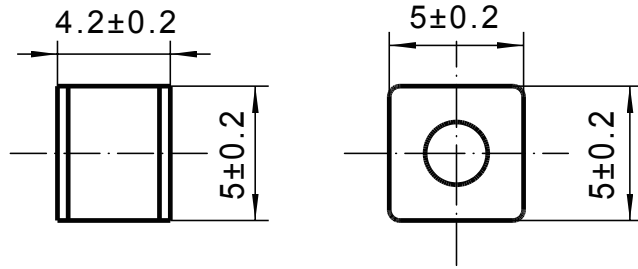
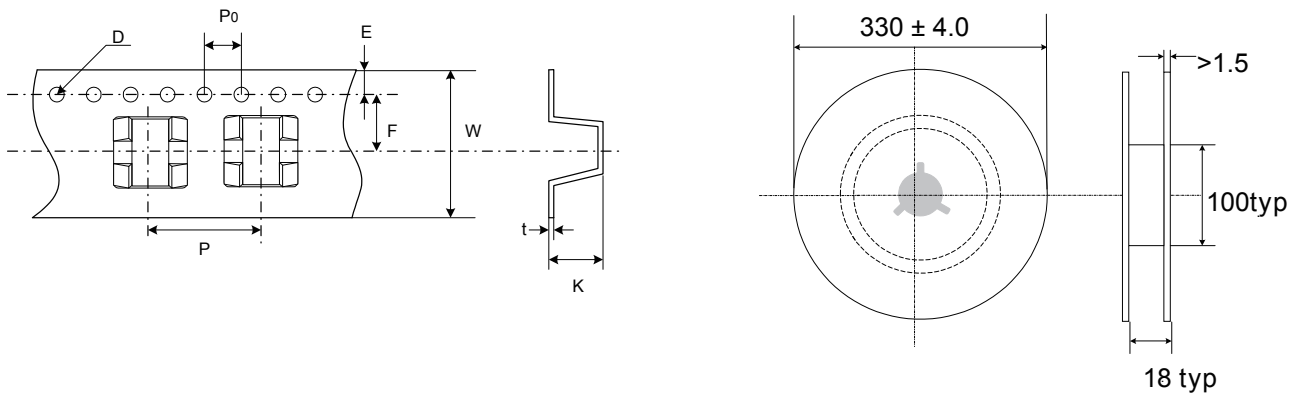
JT = JDT Gas Discharge Tube

Applications

- Communication equipment
- CATV equipment
- Test equipment
- Data lines
- Power supplies
- Telecom SLIC protection
- Telecommunications

Performance Specification

Part Number	DC Spark-over Voltage	Maximum Impulse Breakdown Voltage		Max. Impulse Discharge Current (8/20 μ s)		Impulse Life (10/1000 μ s)	Normal Alternating Discharge Current		DC Holdover Voltage	Minimum Insulation Resistance	Maximum Capacitance (1MHz)
	100V/S	100V/ μ S	1KV/ μ S	1 times	10 times	100 A	50Hz 1Sec	Single 9 Cycles	<150ms		
	(V)	(V)	(V)	(KA)		Times	(A)		(V)		
JTS5050-075G	75 \pm 30%	600	700	8	5	300	5	15	52	1	0.8
JTS5050-090G	90 \pm 30%	600	700	8	5	300	5	15	52	1	0.8
JTS5050-150G	150 \pm 30%	500	700	8	5	300	5	15	52	1	0.8
JTS5050-230G	230 \pm 30%	500	600	8	5	300	5	15	80	1	0.8
JTS5050-250G	250 \pm 30%	500	600	8	5	300	5	15	150	1	0.8
JTS5050-300G	300 \pm 30%	550	650	8	5	300	5	15	150	1	0.8
JTS5050-350G	350 \pm 30%	600	700	8	5	300	5	15	150	1	0.8
JTS5050-400G	400 \pm 30%	650	750	8	5	300	5	15	150	1	0.8
JTS5050-470G	470 \pm 30%	750	850	8	5	300	5	15	150	1	0.8
JTS5050-600G	600 \pm 30%	900	1000	8	5	300	5	15	150	1	0.8
JTS5050-800G	800 \pm 30%	1000	1100	8	5	300	5	15	150	1	0.8
JTS5050-1000G	1000 \pm 30%	1500	1600	8	5	300	5	15	150	1	0.8

Product size (Unit:mm)
Dimension

Packaging Taping (Unit:mm)


Item	P	PO	W	F	E	D	K	t
Spec.	8.0	4.0	12.0	5.45	1.75	Φ1.55	3.1	0.4
Tolerance	±0.1	±0.1	±0.13	±0.1	±0.1	±0.1	±0.1	±0.05